



## KEY FEATURES



### ARM-Based System

Support Yocto Linux 2.5 and Android 9.0



### 6-axis IMU Sensor

3 Accelerometer + 3 Gyroscope



### Rich I/O Connectivity

1 GbE, 4 COM, 1 CAN Bus, 2 USB 3.0, 1 Micro USB (OTG)



### Wide-Voltage

9~36V vehicle power input with ACC/IGN function

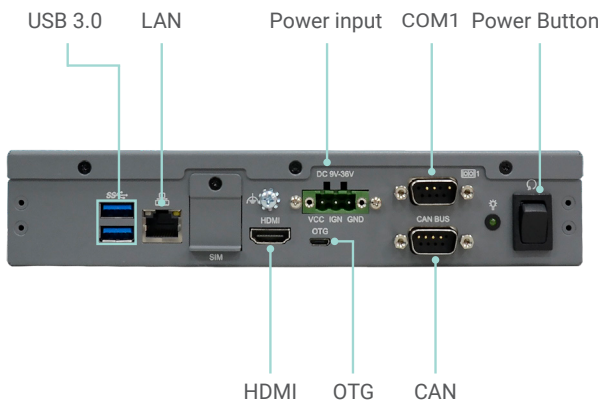


### Wide-Temperature

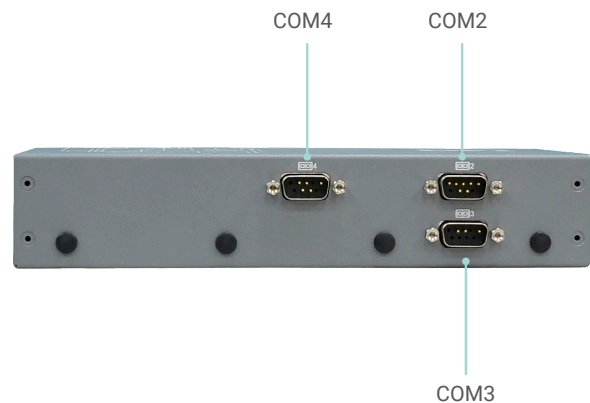
-20°C~70°C operation without active fan



## PANEL

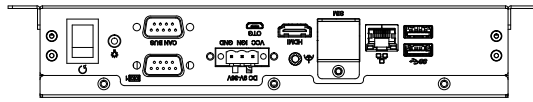


Front View

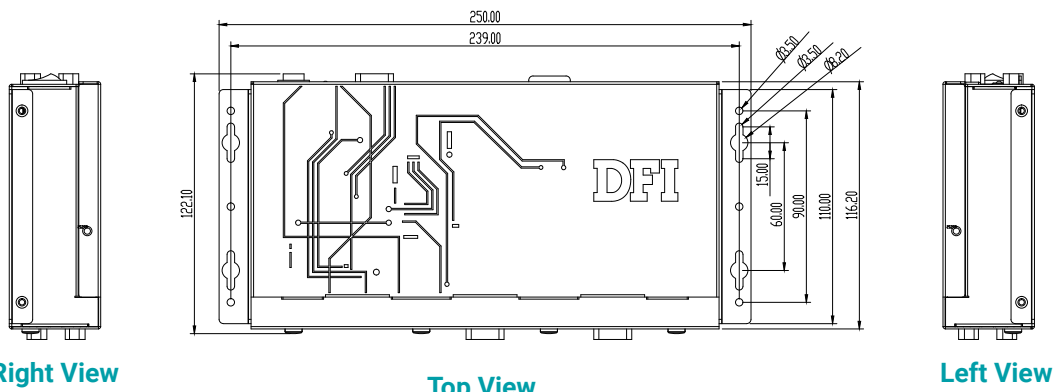


Rear View

## DIMENSIONS



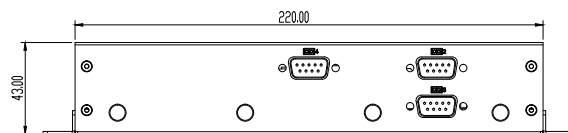
Front View



Right View

Top View

Left View



Rear View

## SPECIFICATION

SYSTEM	Processor	NXP i.MX8M Quad, Cortex-A53 1.3GHz (by model) NXP i.MX8M Dual, Cortex-A53 1.3GHz (by model)
	Memory	On board memory 2GB/4GB (by model) Single channel LPDDR4 up to 3200 MHz
GRAPHICS	Display	1 x HDMI resolution up to 1920x1080 @ 60 Hz
STORAGE	External	Micro SD card slot
	Internal	eMMC 5.1 16GB on board, support up to 64GB (optional)
LED	Indicators	1 x Status LED
EXPANSION	M.2	1 x M.2 2242/3042 B Key (USB 3.1 Gen1), Nano SIM Slot support 1 x M.2 2230 E Key (PClex1/USB2.0)
SENSOR	Sensor	6 axis IMU (3 Accelerometer + 3 Gyroscope)
FRONT I/O	Ethernet	1 x Giga LAN, RJ-45
	Serial	1 x RS-232/422/485 (COM1)
	USB	2 x USB 3.0, type A 1 x OTG, micro USB
	Display	1 x HDMI
	Audio	with Amplifier to support 2W speaker (optional) 1 x Line-out & 1 x MIC-in (internal header)
	Buttons	1 x Power reset button
	CANbus	1 x CANbus, DB-9
REAR I/O	Antenna	4 x Antenna holes for LTE 4G, WiFi and GPS
	Serial	1 x RS-232(TX,RX,RTS,CTS) (COM2) 2 x RS-232(TX,RX) (COM3/COM4)
POWER	Type	Wide range 9~36V with ACC/IGN function
	Connector	3-pole terminal block
OS SUPPORT	Linux	Yocto Linux 2.5
	Android	Android 9.0 (option)
MECHANISM	Construction	Sheet Metal
	Color	Black
	Mounting	DIN-Rail mount Wall mount
	Dimensions (W x H x D)	220 x 122 x 43mm
	Weight	1.9kg
ENVIRONMENT	Operating Temperature	-20 to 70°C
	Storage Temperature	-40 to 85°C
	Relative Humidity	10 to 90% RH (non-condensing)
STANDARDS AND CERTIFICATIONS	Shock	<b>Operating/non-operating:</b> MIL-STD-810G Method 516.6, Procedure 1
	Vibration	<b>Operating/non-operating:</b> MIL-STD-810G Method 514.6, Category 4
	Certification	CE, FCC, E-Mark (E24), RoHS, UKCA

## ORDERING INFORMATION

Model Name	Part Number	CPU	Memory	eMMC	LAN	HDMI	CAN	COM	USB 3.0	Fanless
VC900-M8M	750-VC9000-000G	i.MX8M Quad	4GB memory	16GB eMMC	1	1	1	4	2	Fanless
VC900-M8M	750-VC9000-100G	i.MX8M Dual	2GB memory							

## OPTIONAL ITEMS

Optional Items	Part Number	Description
LTE 4G	761-EM06KE-000G	4G Module Kit, W/Antenna*3, SMA Cable*3, Quectel LTE-A Cat 6 M.2 Module, 42x30x2.3mm, EM06K-EA(QUECTEL) RoHS
WiFi + BT	761-ES2200-100G	Wi-Fi Kit WiFi+BT Kit, WiFi+BT Module, W/2 Dipole Antenna, 2 MHF4 Cable/200mm, RTL8822CE(ENLI) RoHS
Power Switch Cable	A81-006065-016G	Power SWITCH CABLE, Terminal Block 1*3P/5.0mm to DC Jack, L=100mm with ignition switch button
Power Adapter	671-106012-000G	POWER ADAPTER, 60W, EA10681N-120, Input:100~240V, Output:12V/5A, 113x49x35mm, L=1500mm, DC PLUG 5.5*2.5*10mm(Lockable), LV6, 62368-1, EA10681N(183)(EDAC)RoHS

## PACKING LIST

• 1 x VC900-M8M system unit
• 1 x Wall mount bracket/screw pack
• 1 x Quick installation guide